

SMARTY HYBRID



The **SMARTY HYBRID FIL™** is a compact full featured CMY color mixing spot, beam, and wash hybrid luminaire featuring the all new Philips™ MSD Platinum 200 Flex lamp with “FLEX” technology which uses a smartly designed discharge lamp/ballast package to produce high output and compact performance at an efficient, long life solution of up to 6,000 hours. Features include 11,000 total lumen output, motorized zoom ranges of 1° to 18° in beam mode, 3° to 27° in spot mode, and 5° to 33° in wash mode, a full CMY color mixing system, a full frost filter for wash effects, 13 dichroic colors including a quad-color filter, CTB, CTO, and UV, 8 rotating—interchangeable glass and 12 static-stamped metal gobos, a 16-facet and 4-facet linear independent rotating prisms, multiple CMY color, gobo, and prism macros, motorized focus with an auto-focus feature, high speed shutter and strobe, lamp hibernation mode, DMX, RDM (Remote Device Management), Art-NET, and sACN protocol support, Elation’s E-FLY™ internal wireless DMX transceiver, 5pin XLR, RJ45 etherCON, and Seetronic Powerkon in/out connections, full color 180° reversible LCD menu display with battery backup, a multi-voltage universal auto switching power supply (100-240V), and a comprehensive 2-year / 6,000 hour ultimate warranty**.

FEATURES

- 3-in-1 Smart Hybrid Beam, Spot, Wash Luminaire**
- New Philips™ MSD Platinum 200 Flex Lamp**
- Up To 6,000 Lamp Hours***
- FLEX Lamp Technology from 190 to 280W + Hibernation**
- Motorized Zoom: 1° - 18° Beam, 3° - 27° Spot, 5° - 33° Wash**
- Full Frost Filter for Wash Effects**
- Full CMY Color Mixing System**
- 13 Colors including Quad Color, CTB, CTO, and UV**
- 8 Rotating Interchangeable Glass Gobos**
- 12 Static-Stamped Metal Gobos**
- 16-Facet and 4-Facet Linear Rotating Prisms**
- Multiple CMY Color, Gobo, and Prism Macros**
- Motorized Focus with Auto-Focus Feature**
- DMX, RDM, Art-NET, and sACN Support**
- Elation’s E-FLY™ Internal Wireless DMX Transceiver**
- Ultimate Warranty** - Comprehensive 2 Years / 6,000 Hours**
- Custom Fitted Polyurethane Foam FIL (Foam in Lay) Insert**

**First 2 Years of operation or 6,000 hours of use, whichever comes first, based on regular fixture/lamp maintenance.

The SMARTY HYBRID FIL ships in a cardboard box with a custom fitted polyurethane foam FIL (Foam In Lay) insert. This foam insert easily fits into any custom sized flight case (not included), and provides enhanced impact protection during transport.



Specifications are subject to change without notice ©Elation Professional 3/13/19

Elation Professional USA | 6122 S. Eastern Ave. | Los Angeles, CA. 90040
323-582-3322 | 323-832-9142 fax | www.elationlighting.com | info@elationlighting.com

Elation Professional B.V. | Junostraat 2 | 6468 EW Kerkrade, The Netherlands
+31 45 546 85 66 | +31 45 546 85 96 fax | www.elationlighting.eu | info@elationlighting.eu

PRODUCT SPECIFICATIONS

SOURCE

Philips MSD Platinum 200 Flex 280W Lamp
Up To 6,000 Hours Lamp Life*

*May vary depending on several factors including but not limited to: Environmental Conditions, Power/Voltage, Usage Patterns (On-Off Cycling), Control, Dimming, and Lamp Mode.

PHOTOMETRIC DATA

11,000 Total Lumen Output
128,426 LUX 11,931 FC @49.2' (15m) (Min Zoom Beam)
135,108 LUX 12,552 FC @16.4' (5m) (Min Zoom Spot)
138,576 LUX 12,874 FC @16.4' (5m) (Min Zoom Wash)

EFFECTS

Beam, Spot, and Wash Modes
Motorized Zoom: 1° to 18° Beam and 3° to 27° Spot
Full Frost Filter for Wash Effects
16-Facet and 4-Facet Linear Rotating Prisms
CMY Color, Gobo, and Prism Macros
Motorized Focus with Auto-Focus Feature
High Speed Shutter and Strobe

COLOR

Full CMY Color Mixing System
13 Colors including Quad Color, CTB, CTO, and UV

GOBOS

2 Gobo Wheels
8 Interchangeable-Rotating / Indexing Glass Gobos
12 Static-Stamped Metal Gobos

CONTROL / CONNECTIONS

2 DMX Channel Modes (20 / 34 channels)
Full Color 180° Reversible LCD Menu Display
6 Button Menu Control Panel
16 Bit Resolution Adjustable Movement
DMX, RDM, Art-NET, and sACN Protocol Support
Elation E-FLY Internal Wireless DMX Transceiver
5pin DMX and RJ45 etherCON In/Out
Neutrik TRUE1 Power In/Out

SIZE / WEIGHT

Length: 15.2" (385mm)
Width: 15.9" (405mm)
Vertical Height: 24.0" (610mm)
Weight: 49.0 lbs. (22.2 kg)

ELECTRICAL / THERMAL

AC 100-240V - 50/60Hz
480W Max Power Consumption
14°F to 113°F (-10°C to 45°C)

APPROVALS / RATINGS



IP20



ORDERING INFORMATION

ESH253	SMARTY HYBRID FIL
TRIGGER CLAMP	Heavy Duty Wrap Around Hook Style Clamp
EFL001	E-FLY™ Wireless DMX Transceiver
AC5PDMX5PRO	5 ft. (1.5m) 5pin PRO DMX Cable
NEU088	3 ft. (1m) Power Link Cable
CAT6PRO5	5 ft. (1.5m) CAT6 EtherCON Cable
ZB-MSD PLATINUM 200 FLEX	Philips MSD Platinum 200 Flex Lamp

COLORS AND GOBOS

COLOR WHEEL



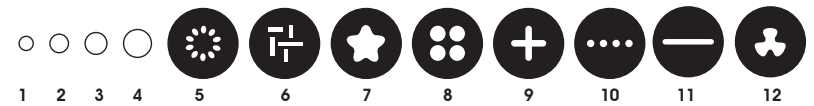
COLOR FLAGS



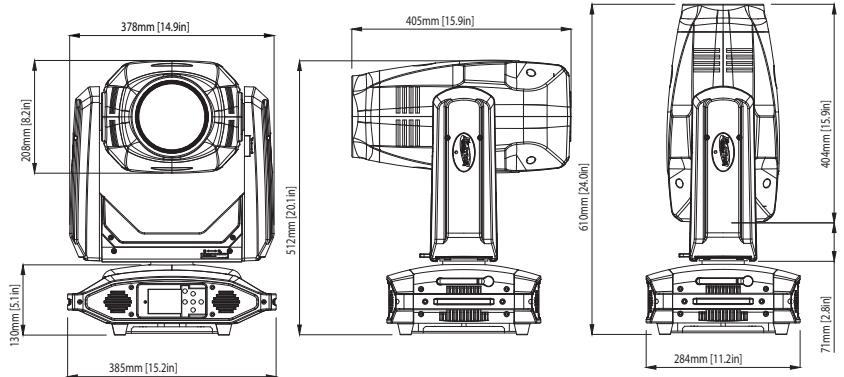
INTERCHANGEABLE-ROTATING GLASS GOBO WHEEL 1



STATIC-FIXED METAL GOBO WHEEL 2



DIMENSIONAL DIAGRAMS



Specifications are subject to change without notice ©Elation Professional 03/12/19



FOAM IN LAY DIMENSIONAL DRAWINGS

